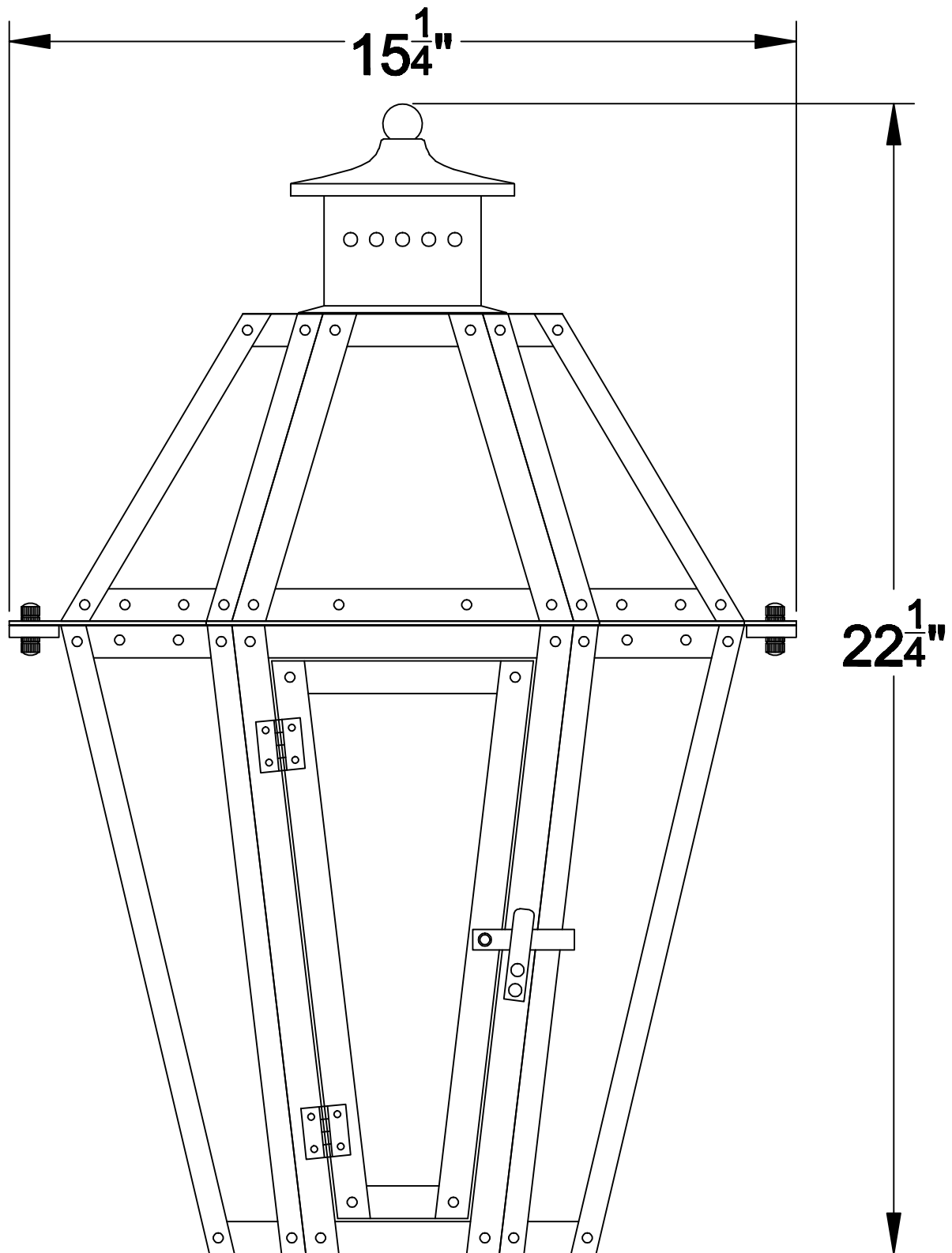
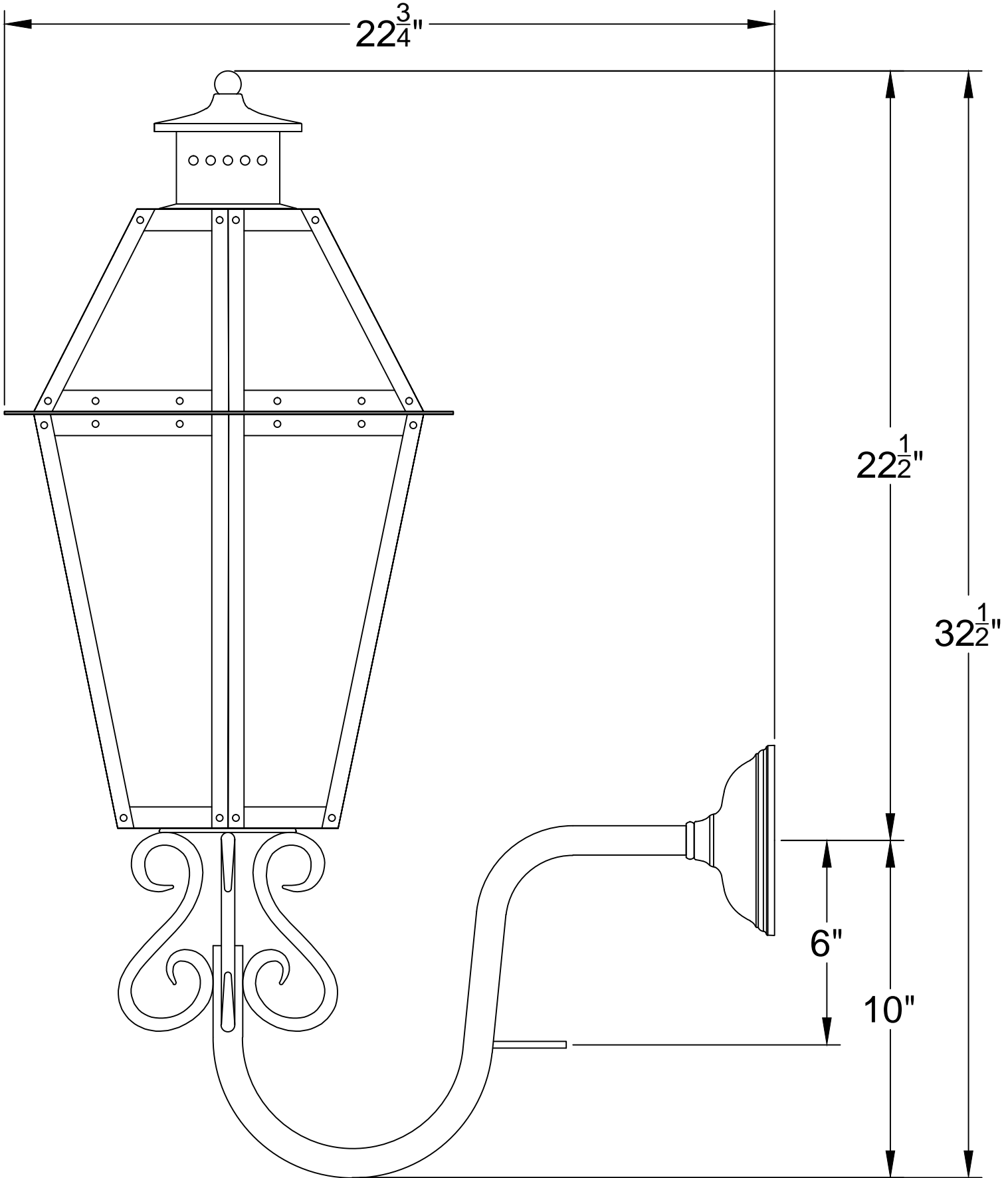


# RT-23



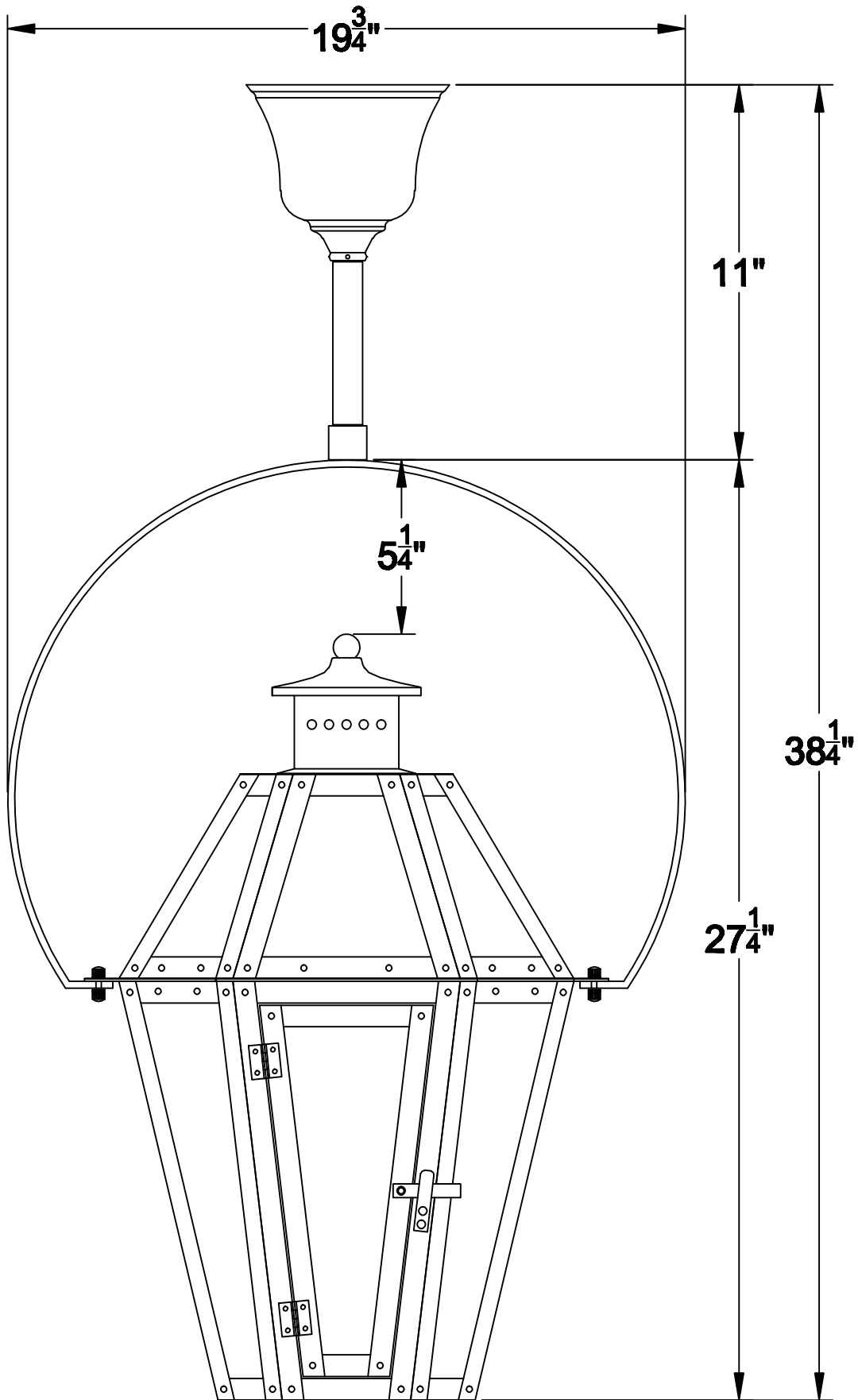
Front

RT-23



GN

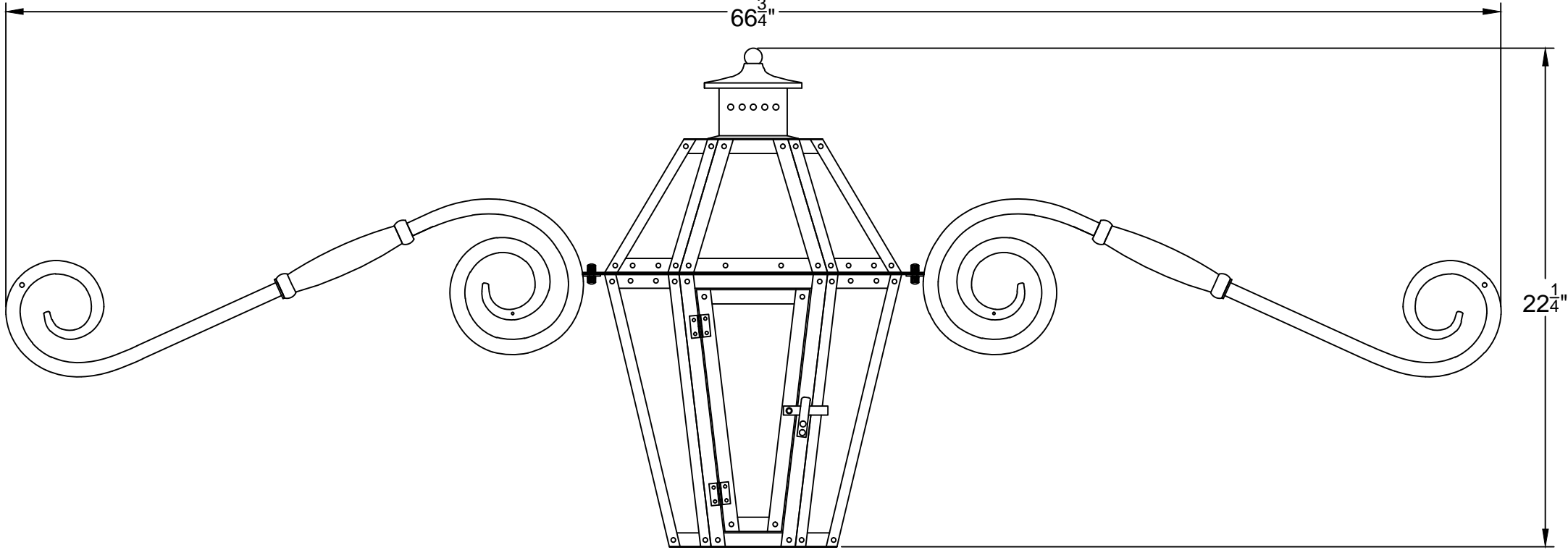
**RT-23**



**HY-3**

RT-23

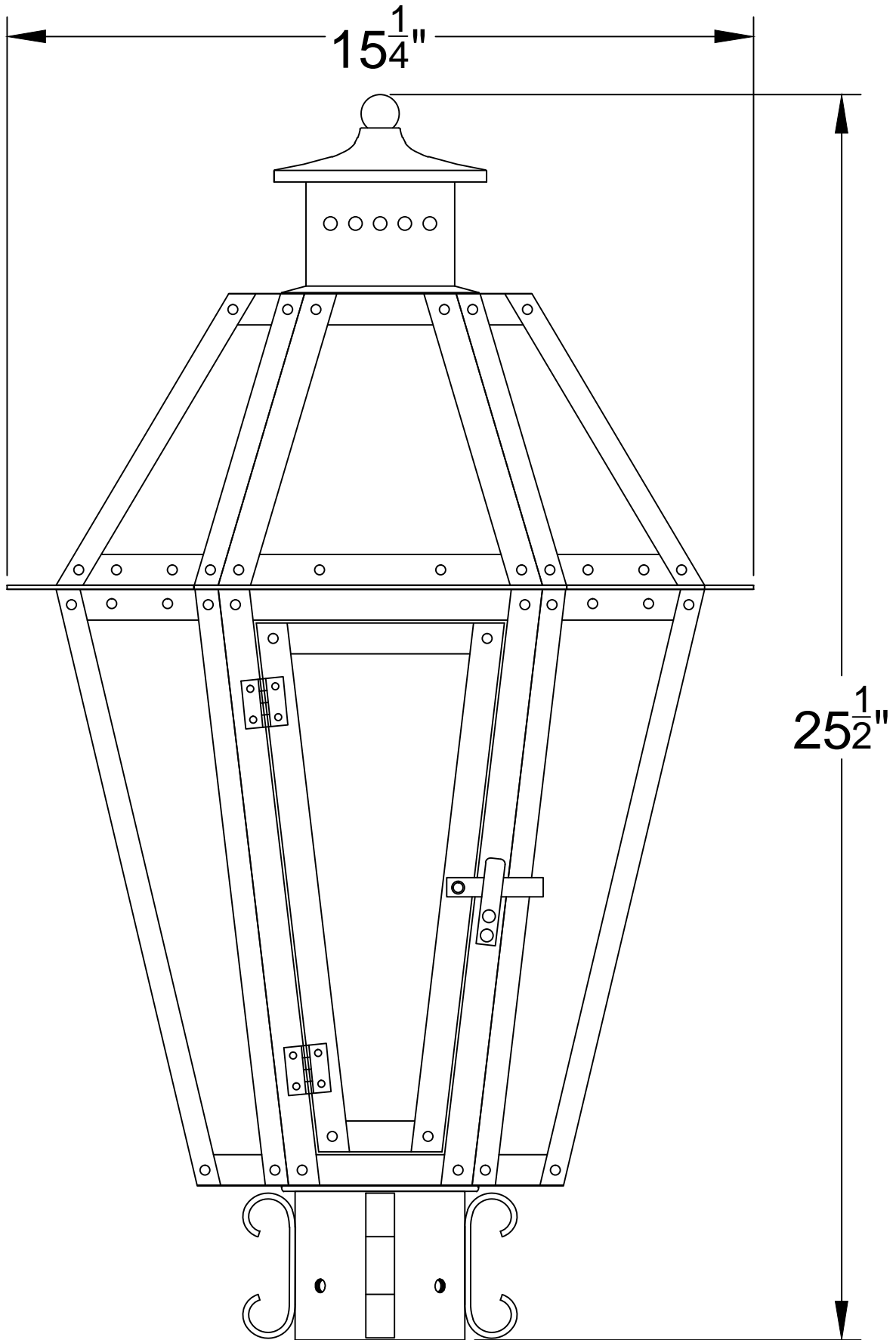
66<sup>3</sup>/<sub>4</sub>"



22<sup>1</sup>/<sub>4</sub>"

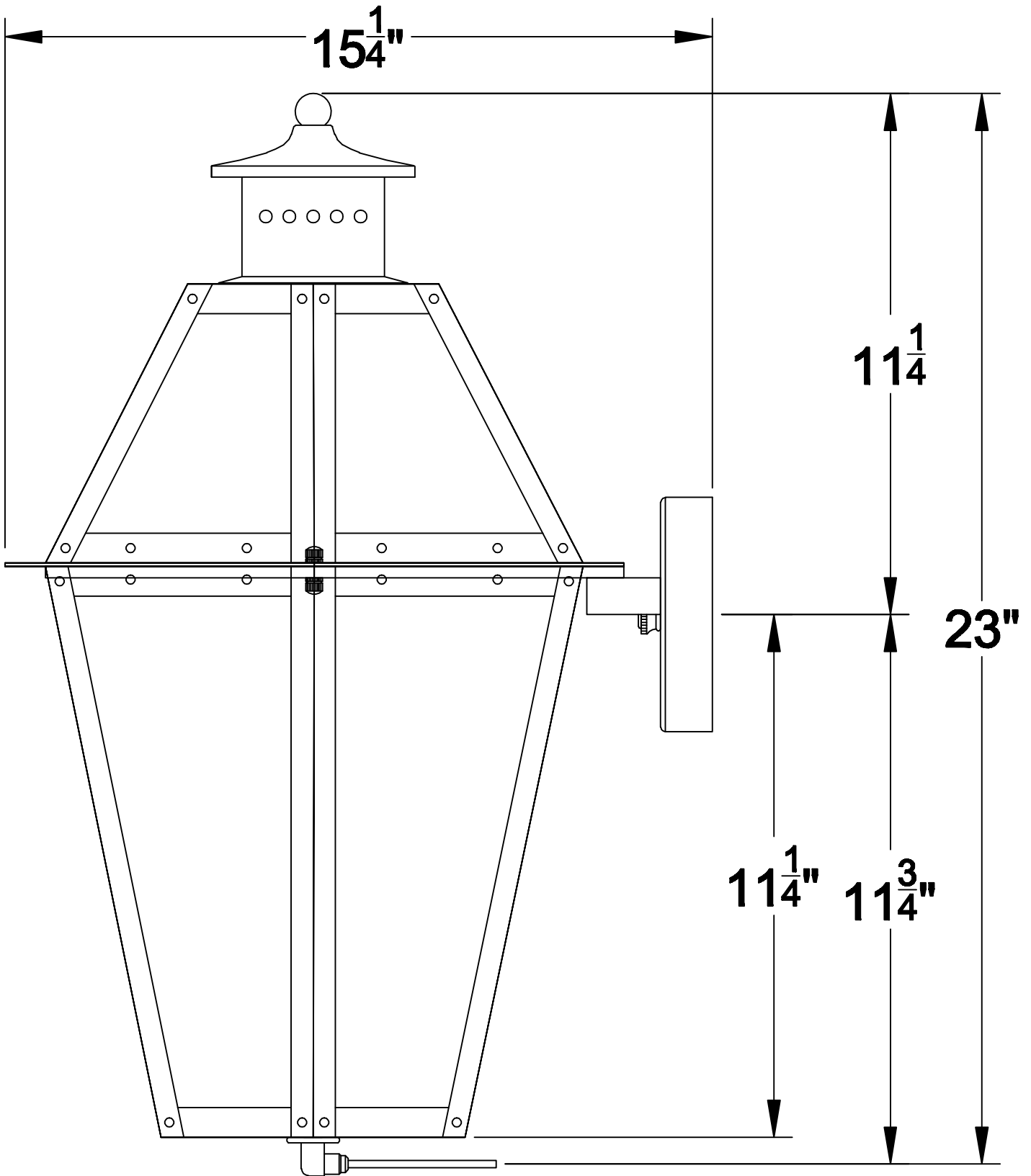
MU

# RT-23



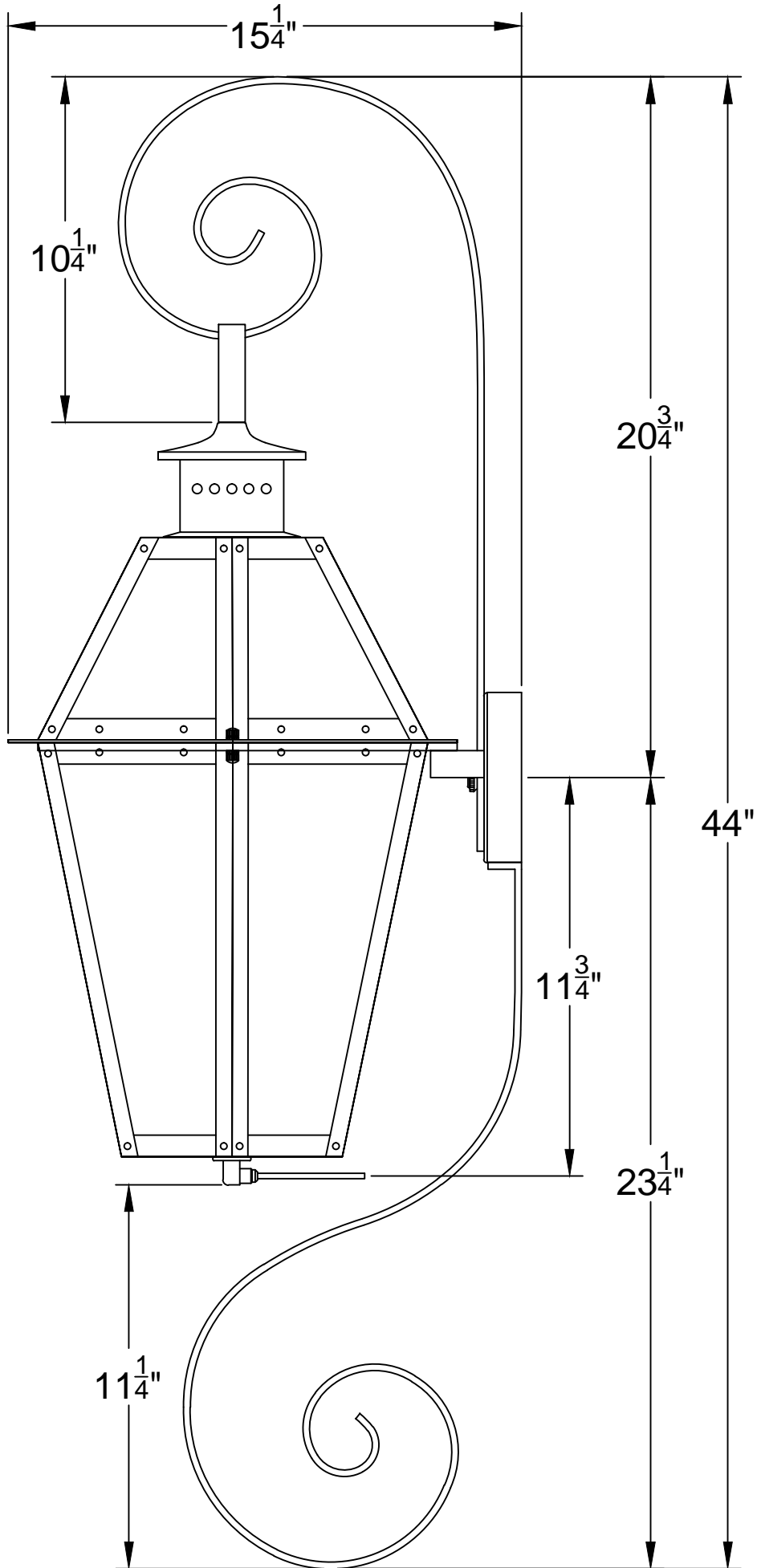
# PM

# RT-23



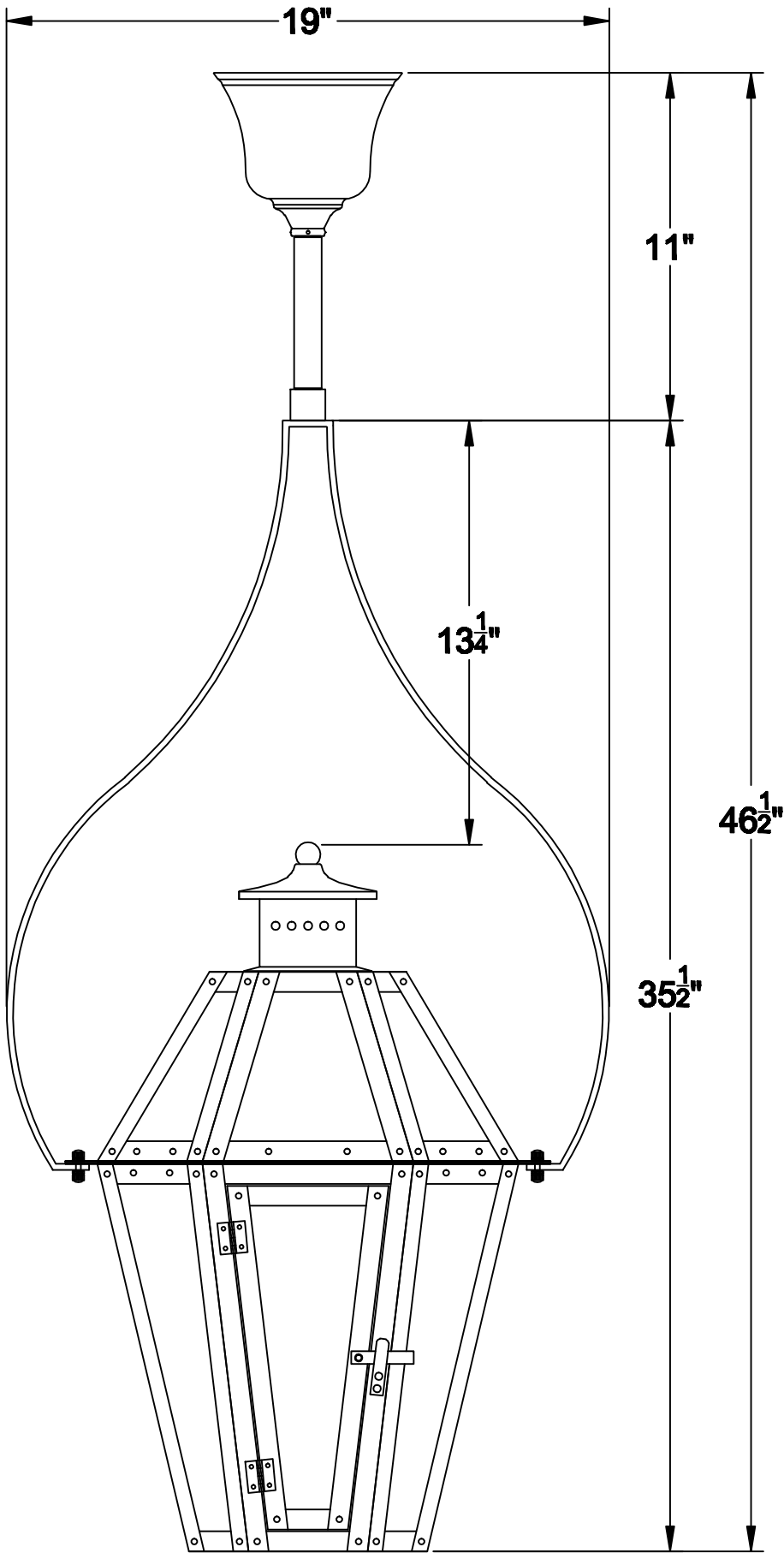
Side

# RT-23



TS-2 BS-1

**RT-23**



**TY-2**